

AGENT
by
bürotime

technical document



AGENT



Designed with the harmonious combination of natural leather and metal, Agent brings together performance and a strong stance for executives working in a demanding business environment.

Featuring 7-level height adjustment, 8-level depth adjustment, and 4D armrests with forward-backward movement capability, Agent adapts to the user's body structure and working position. The single-button on the armrest allows for easy adjustment of height and back stiffness without disrupting your posture, while the 5-level lumbar support height and seat depth adjustment reduce stress and pressure on the spine.

In addition to its prestigious appearance, Agent, with its ergonomic design, supports the correct sitting position, preserving spinal health and optimizing user comfort during extended working hours. The 3D neck support, adjustable in angle and height according to the structure and needs of the neck, minimizes the risk of discomfort.

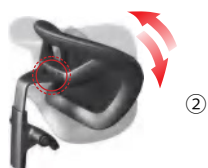
product family _____



product family _____



5 levels height adjustment



ergonomic design surface offering 45° rotation



adjustable angles, the headrest offers full support for your neck



the backrest tilt angle can be adjusted and locked within 33° in 15 different positions by the paddle shift on the left arm.



no need to change sitting gestures, the paddle shift on the right armrest can adjust the seat height quickly.



height adjustment



angle adjustment

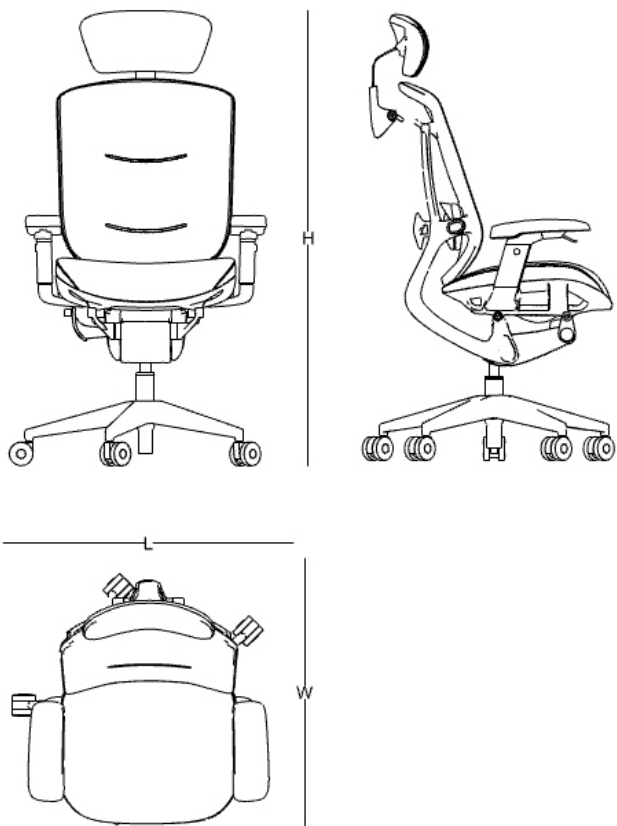


width adjustment



sliding adjustment

size chart



W: 64
L : 65
H : 115

color options

natural leather



L108
black